

Submersible sewage pump made of stainless steel AISI 304, with double mechanical seals ensure long life and reliability. Suitable for sewage and dirty water systems with solids. Applications include remote sewage stations for housing developments, pubs, hotels and restaurants, and water displays. Options include with - without float switch. Solids handling up to 50 mm.



SPECIFICATIONS

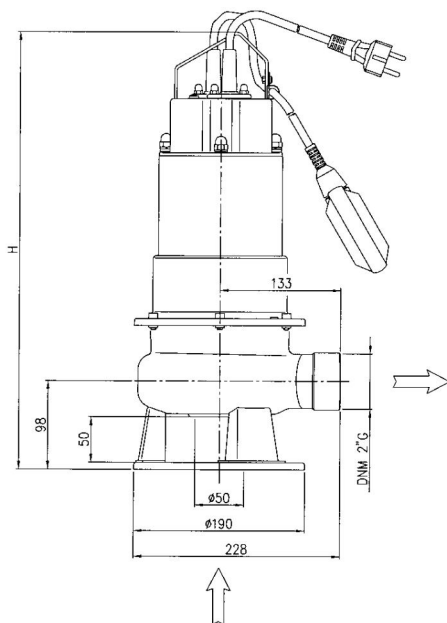
- Maximum liquid temperature: 40°C
- Maximum immersion: 10 m
- Maximum passage of solids: 50 mm

MATERIALS

- Pump casing, impeller, cover, casing cover and motor casing in AISI 304
- Shaft in AISI 303
- Double mechanical seal with interposed oil chamber: upper in carbon/ceramic/NBR, lower in Sic/SiC/NBR

TECHNICAL DATA

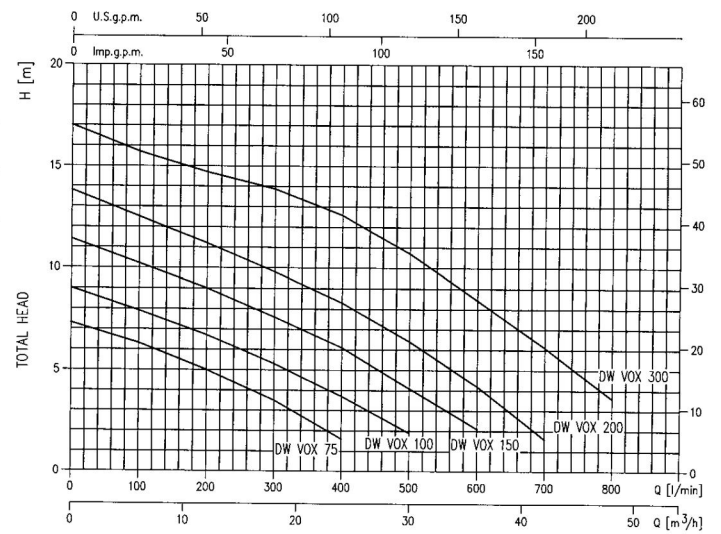
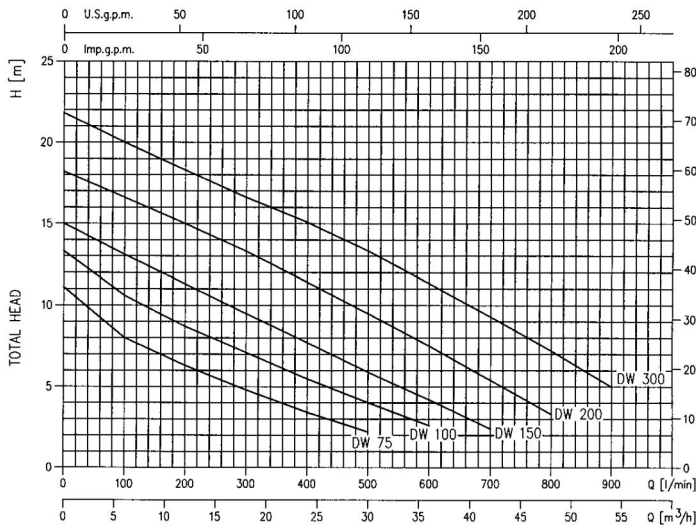
- Asincronous 2 poles motor
- Insulation class F
- Protection degree IP68
- 1~230V ±10% 50Hz - 3~400V ± 10% 50Hz
- Permanent split capacitor and automatic thermal overload protection for single-phase version
- Thermal protection to be provided by the user for three-phase version
- DNA 50-DNM 2"
- DNM 50PN10 (F version)



DIMENSIONAL TABLE

Pump type	Dimensions (mm)	Weight	Pump type	Dimensions (mm)	Weight
	H	kg		H	kg
DW 75	485	16	DW VOX 75	485	16
DW 100	515	18	DW VOX 100	515	18
DW 150	515	20	DW VOX 150	515	20
DW 200	515	20	DW VOX 200	515	20
DW 300	545	26	DW VOX 300	545	26

PERFORMANCE CURVES (according to ISO 9906 Annex A)

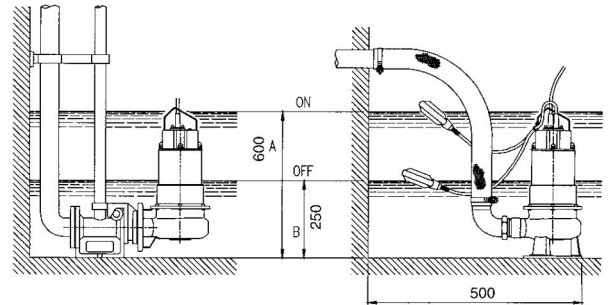
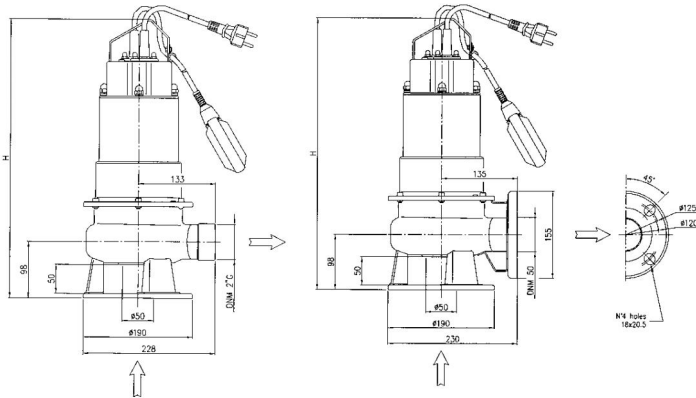


DW
DW VOX

DWF
DW VOX F

DW FZ
DW VOX FZ

DW
DW VOX



PERFORMANCE TABLE

Pump type		kW	Capacitor		Absorbed Current (A)		Q=Capacity													
Single-phase 230V 50Hz	Three-phase 400V 50Hz		µF	V _c	1~	3~ 400V	H=Total head													
							l/min	100	200	300	400	500	600	700	800	900				
							m³/h	6	12	18	24	30	36	42	48	54				
DW 75 M	DW 75	0,55	20	450	3,9	1,5	8	6,3	4,8	3,4	2,2	-	-	-	-	-	-	-	-	-
DW 100 M	DW 100	0,75	25	450	5,9	2,1	10,6	8,7	7,1	5,5	4	2,6	-	-	-	-	-	-	-	-
DW 150 M	DW 150	1,1	31,5	450	7,3	2,8	13,1	11,3	9,5	7,7	5,9	4,2	2,4	-	-	-	-	-	-	-
-	DW 200	1,5	-	-	-	3,6	16,6	15	13,3	11,4	9,5	7,5	5,4	3,3	5	-	-	-	-	-
-	DW 300	2,2	-	-	-	5,0	20	18,3	16,6	15,1	13,3	11,3	9,3	7,2	-	-	-	-	-	-
DW VOX 75 M	DW VOX 75	0,55	20	450	3,9	1,4	6,3	5	3,5	1,6	-	-	-	-	-	-	-	-	-	-
DW VOX 100 M	DW VOX 100	0,75	25	450	5,8	2,1	7,9	6,7	5,3	3,7	1,9	-	-	-	-	-	-	-	-	-
DW VOX 150 M	DW VOX 150	1,1	31,5	450	7,3	2,8	10,2	9	7,6	6,1	4,1	2,1	-	-	-	-	-	-	-	-
-	DW VOX 200	1,5	-	-	-	3,3	12,5	11,2	9,8	8,3	6,4	4,2	1,6	-	-	-	-	-	-	-
-	DW VOX 300	2,2	-	-	-	4,4	15,7	14,7	13,9	12,6	10,7	8,4	6,1	3,6	-	-	-	-	-	-